



US005664983A

United States Patent [19]

Hollis

[11] Patent Number: 5,664,983

[45] Date of Patent: Sep. 9, 1997

[54] FIGURE TOY DISPLAYING MUSCLE GROWTH

[76] Inventor: John Rey Hollis, 21540 Encina Rd., Topanga, Calif. 90290

[21] Appl. No.: 772,699

[22] Filed: Dec. 23, 1996

[51] Int. Cl.⁶ A63H 3/36

[52] U.S. Cl. 446/199; 446/320

[58] Field of Search 446/176, 180, 446/320, 190, 199, 321

[56] References Cited

U.S. PATENT DOCUMENTS

3,731,426	5/1973	Lewis et al.	446/320
3,812,613	5/1974	Glass et al.	446/320
3,992,807	11/1976	Sapkus et al.	446/320
3,995,394	12/1976	Ayton	446/320
4,183,171	1/1980	Terzian	446/320
4,259,805	4/1981	Hornsby, Jr.	446/320 X
4,310,927	1/1982	DeBose	2/115

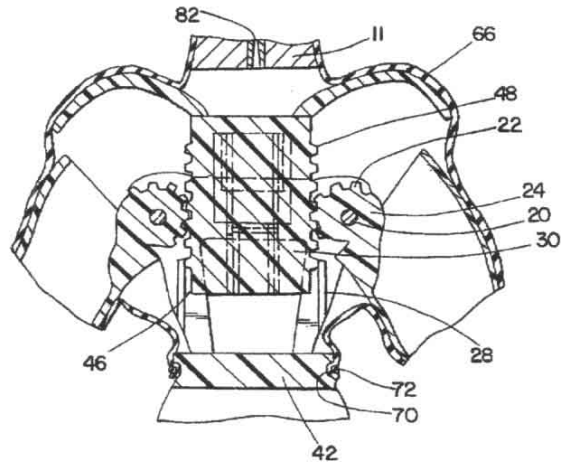
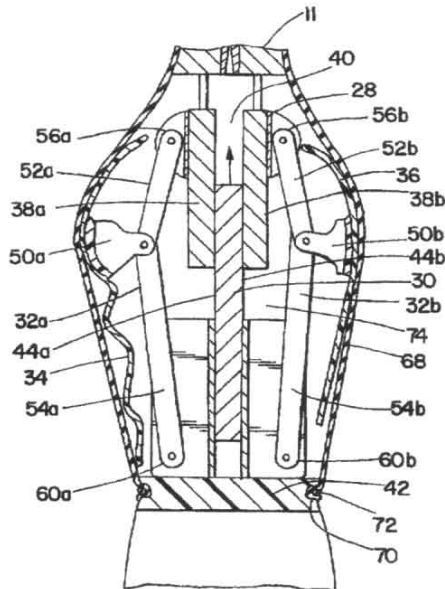
4,576,585	3/1986	Balogh et al.	446/199
4,623,319	11/1986	Zaruba et al.	446/320 X
5,167,561	12/1992	Rizzo	446/224
5,419,729	5/1995	Gross	446/183
5,518,436	5/1996	Lund et al.	446/180

Primary Examiner—Mickey Yu
Attorney, Agent, or Firm—Charles B. Katz

[57] ABSTRACT

A figure toy having an expandable torso and a flexible elastic skin covering the torso, the skin interiorly defining a substantially airtight internal cavity. When the torso is moved to its expanded condition, a partial vacuum is produced within the cavity, causing the elastic skin to conform closely to sculptured features resembling muscles disposed on the outer surface of the underlying torso plates, thereby creating an appearance of great strength. When the torso is returned to its unexpanded condition, the figure toy achieves a more normal aspect. Actuator mechanisms are disclosed for selectively expanding the torso by swinging the figure toy's arms downwardly.

8 Claims, 4 Drawing Sheets



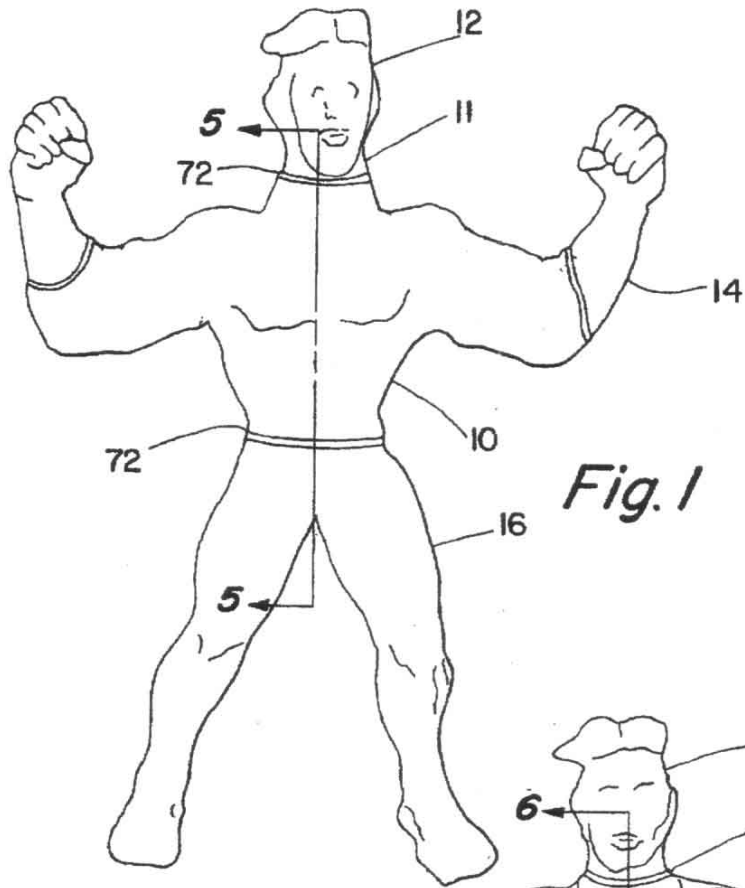


Fig. 1

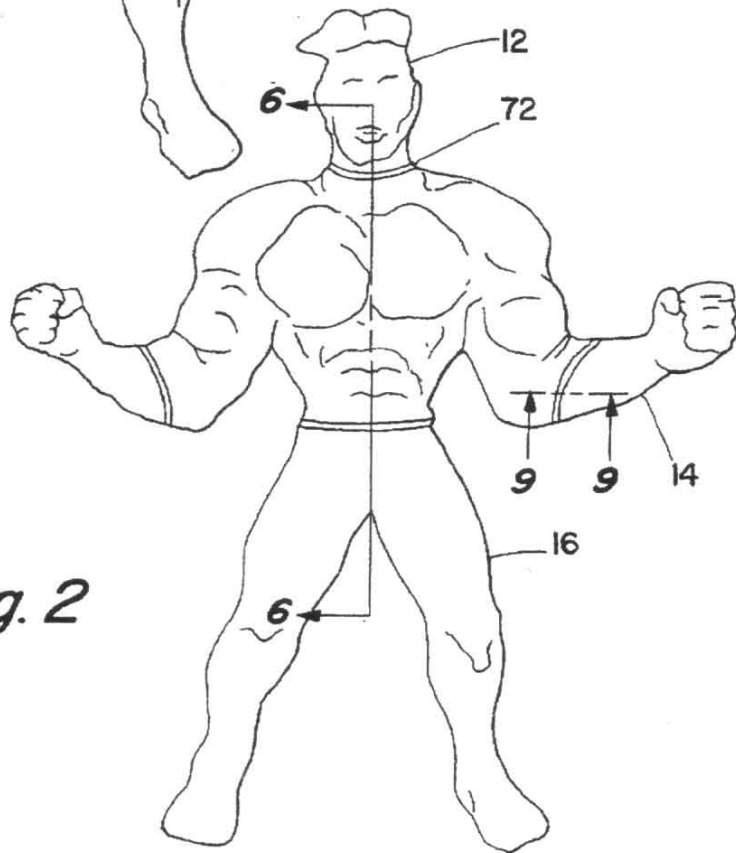


Fig. 2