



US006749482B1

(12) **United States Patent**
Hollis et al.

(10) **Patent No.:** **US 6,749,482 B1**
(45) **Date of Patent:** **Jun. 15, 2004**

(54) **MULTI-CONFIGURABLE TOY VEHICLE**

(75) Inventors: **John Rey Hollis**, Topanga, CA (US);
John Lawren Cook, Redondo Beach, CA (US); **Christine Ann Hollis**,
Topanga, CA (US)

(73) Assignee: **Awesome Toys, LLC.**, Chicago, IL (US)

(*) Notice: Subject to any disclaimer, the term of this patent is extended or adjusted under 35 U.S.C. 154(b) by 0 days.

(21) Appl. No.: **10/663,254**

(22) Filed: **Sep. 16, 2003**

(51) **Int. Cl.**⁷ **A63H 17/267**

(52) **U.S. Cl.** **446/466; 446/470**

(58) **Field of Search** 446/448, 465, 446/466, 469, 470, 431

(56) **References Cited**

U.S. PATENT DOCUMENTS

3,078,619 A * 2/1963 Brown 446/237

4,477,999 A * 10/1984 Harigai et al. 446/470
4,850,929 A * 7/1989 Genevey 446/466
5,762,533 A * 6/1998 Tilbor et al. 446/466
6,589,098 B2 * 7/2003 Lee et al. 446/465
2001/0004578 A1 * 6/2001 Jaffe 446/456

* cited by examiner

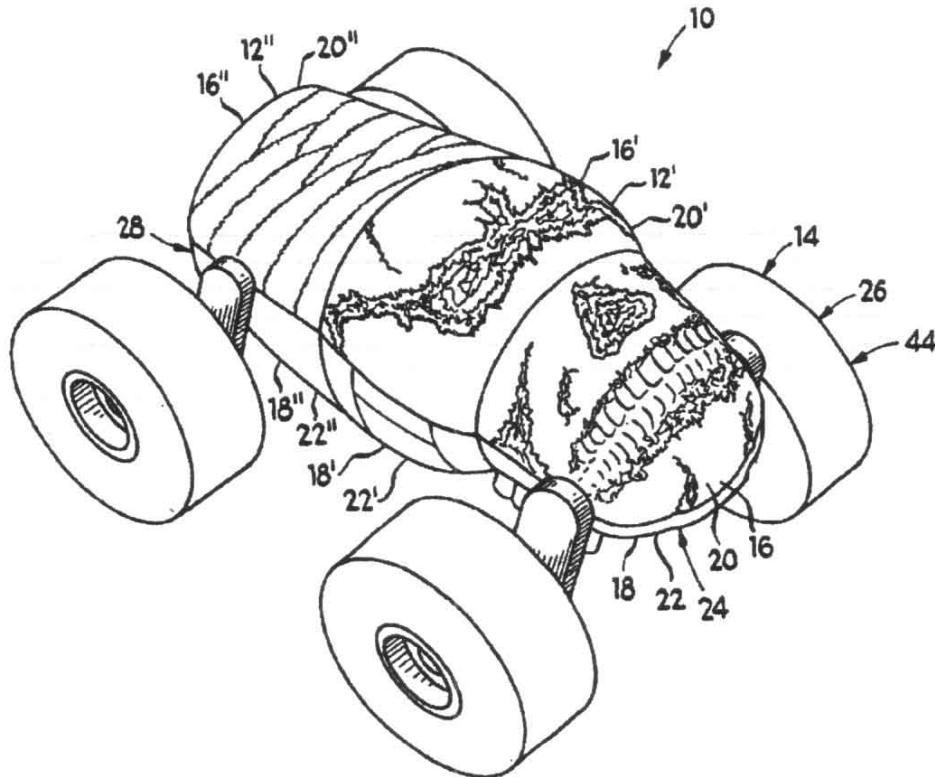
Primary Examiner—Jacob K. Ackun, Jr.

(74) *Attorney, Agent, or Firm*—Factor & Lake, Ltd.

(57) **ABSTRACT**

A multi-configurable toy vehicle having at least two rotatable segments. Each rotatable segment includes a first side having a first design and a second side having a second design. Additionally, each rotatable segment is independently rotatable with respect to each other from a first side orientation to a second side orientation. A movement means, such as pivotal wheels, enables the multi-configurable toy vehicle to move on a surface. The movement means is associated with at least two of the rotatable segments to facilitate operation of the multi-configurable toy vehicle when any of the rotatable segments are in either of the first or second side orientations.

22 Claims, 6 Drawing Sheets



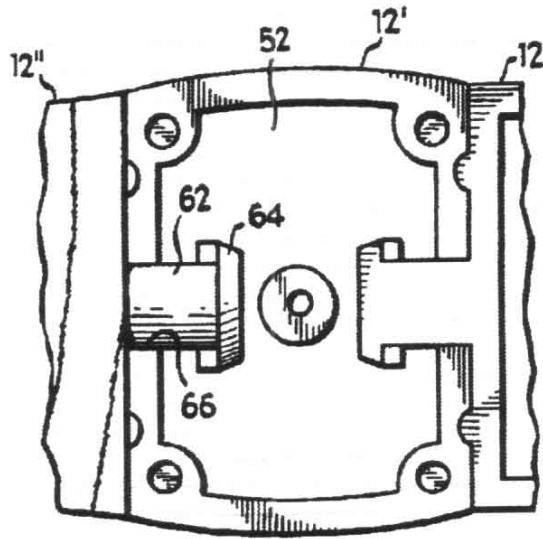


Fig 6.

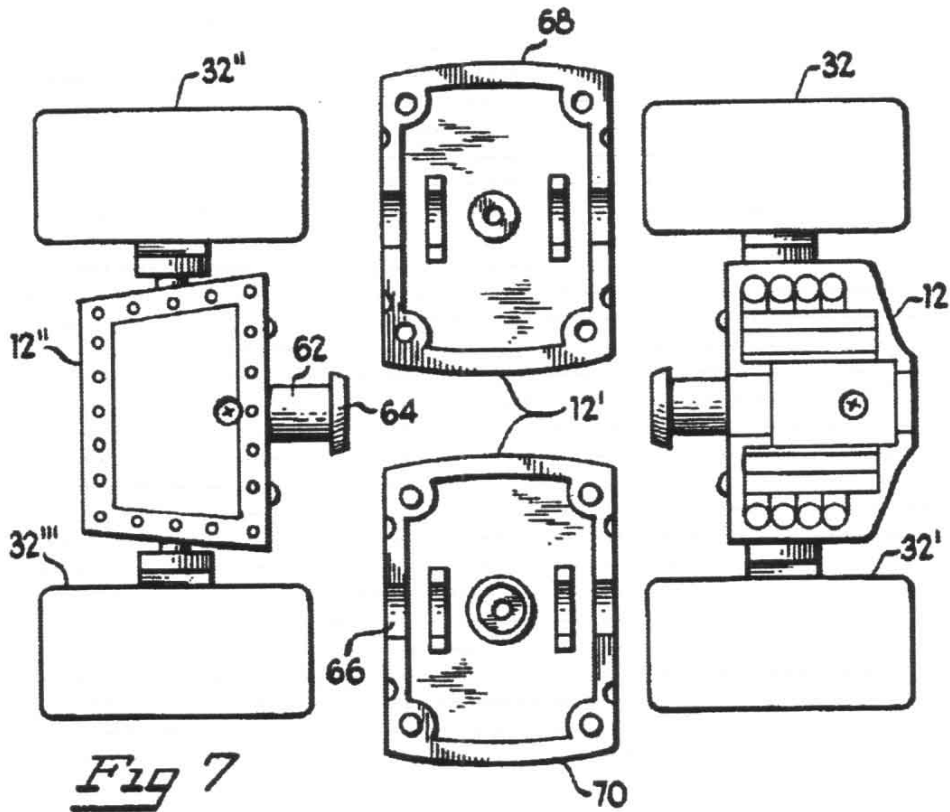


Fig 7