



US008096848B2

(12) **United States Patent**  
**Hollis**

(10) **Patent No.:** **US 8,096,848 B2**  
(45) **Date of Patent:** **Jan. 17, 2012**

(54) **COLLAPSIBLE TOY AIRPLANE**  
(76) Inventor: **John Rey Hollis**, Albany, CA (US)

(\* ) Notice: Subject to any disclaimer, the term of this patent is extended or adjusted under 35 U.S.C. 154(b) by 213 days.

(21) Appl. No.: **12/471,235**

(22) Filed: **May 22, 2009**

(65) **Prior Publication Data**

US 2010/0136873 A1 Jun. 3, 2010

**Related U.S. Application Data**

(60) Provisional application No. 61/055,192, filed on May 22, 2008.

(51) **Int. Cl.**  
**B64C 1/00** (2006.01)

(52) **U.S. Cl.** ..... **446/62**

(58) **Field of Classification Search** ..... 446/62,  
446/109, 487

See application file for complete search history.

(56) **References Cited**

**U.S. PATENT DOCUMENTS**

1,947,392 A	2/1934	Guntermann et al.	
3,065,799 A	11/1962	McCarty, Jr.	
3,213,573 A	10/1965	Bohr et al.	
3,300,910 A	1/1967	Isaac	
3,670,773 A	6/1972	Guerster	
3,744,741 A *	7/1973	Christian et al.	244/16
4,292,757 A	10/1981	Cahen, Jr.	
4,307,536 A	12/1981	English et al.	
4,485,991 A	12/1984	Fuller	

4,655,720 A *	4/1987	Renger et al.	446/61
4,742,977 A *	5/1988	Crowell	244/123.1
4,836,817 A	6/1989	Corbin	
5,391,106 A	2/1995	Lidert, Jr.	
5,525,087 A *	6/1996	Chin-Lin	446/59
5,658,037 A	8/1997	Evans et al.	
5,816,880 A	10/1998	Forti et al.	
5,947,785 A	9/1999	Bausch	
6,135,388 A *	10/2000	Hostetter	244/153 R
6,290,178 B1 *	9/2001	Wang	244/153 R
6,437,232 B1	8/2002	Dailey et al.	
6,443,793 B1	9/2002	Huebl et al.	

**FOREIGN PATENT DOCUMENTS**

GB 2161775 5/2009

\* cited by examiner

*Primary Examiner* — Gene Kim

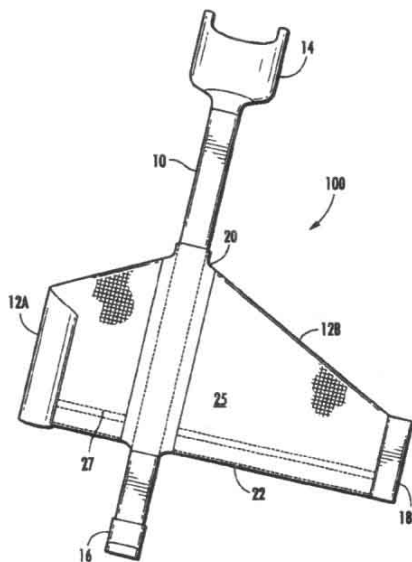
*Assistant Examiner* — Amir Klayman

(74) *Attorney, Agent, or Firm* — O'Connell Law Firm

(57) **ABSTRACT**

A collapsible toy airplane reconfigurable between storage and use configurations. At least one spar member forms first and second wings and is coupled to a fuselage. The main body member and the at least one spar are formed from spring steel with an arcuate cross section whereby they can be reconfigured from a straight, substantially rigid disposition to a coiled configuration. A sheath of flexible material envelops the at least one spar member. The at least one spar member can be pivotable from a use configuration forming the first and second wings to a collapsed configuration substantially in-line with the main body member. The wings can be formed from first and second spar members, each pivotally coupled to the main body portion and each adjustable from a use configuration disposed at a dihedral angle to a collapsed, in-line configuration.

**14 Claims, 11 Drawing Sheets**



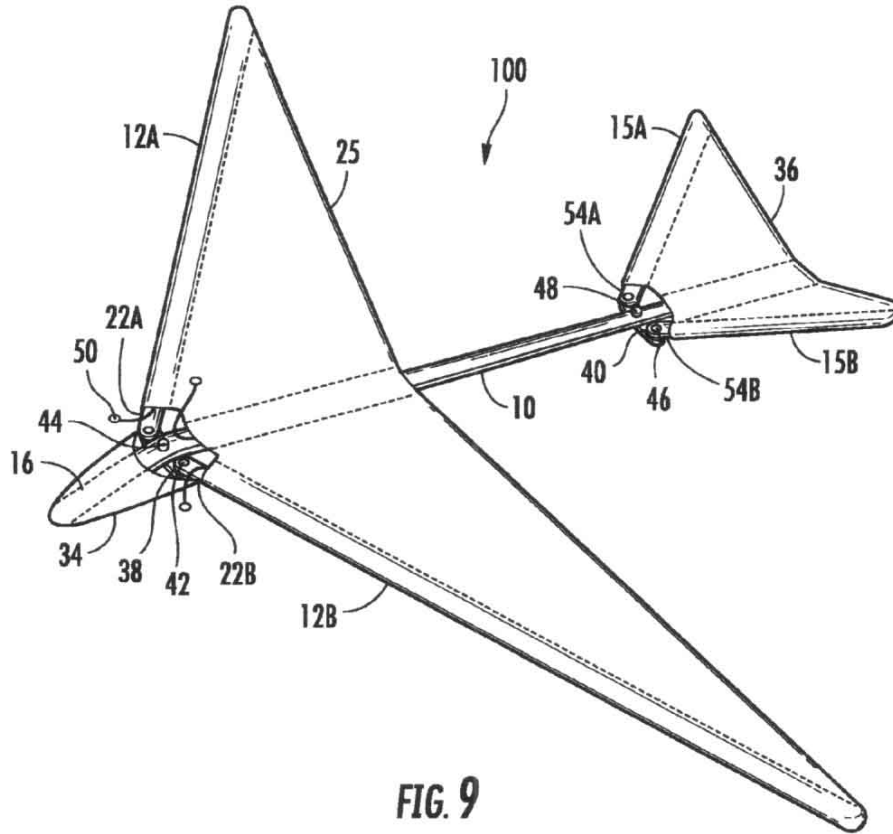


FIG. 9

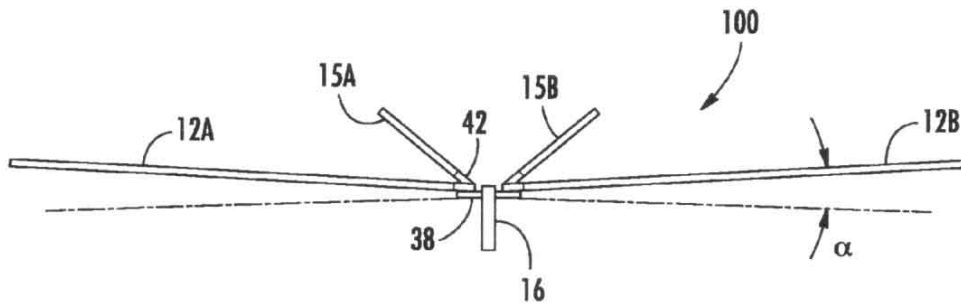


FIG. 10